



TC-600 SPACE-PAK

ALL ALUMINUM STORAGE COMPARTMENT

1/8" aluminum construction

Full length stainless hinge all doors

Black & chrome T-handle compression latches

Double panel powder coated doors

Four swiveling J-hooks

Gas spring door stays

Two cross-compartment shelves

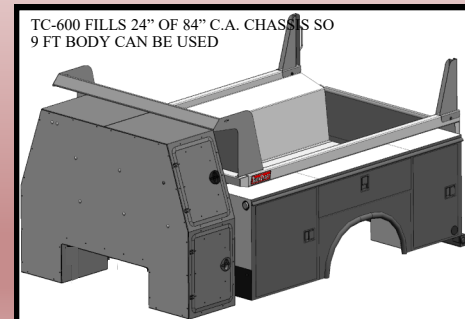
Diamond plate front & rear panels

Universal mounting brackets & hardware included

ALSO AVAIL. IN 4-DOOR FLAT-BOTTOM MODEL SIMILAR TO ABOVE, & TWO 2 DOOR VERSIONS

SPACE-PAK
by TruckCraft of course

- 100% Aluminum with stainless and polymer hardware for custom look and lasting durability
- 56 Cu ft of secure storage space (24Dp X 87W X 60H)
- Double-panel doors for strength & appearance (26.75"H x 20.5"W clear door openings)
- Powder-coated doors, bright diamond plate front and back panels
- Rubber door seal is in door - prevents damage to seal from cargo loading
- Full 1/8" thick aluminum sheet construction
- Full door-length stainless steel hinges for security & durability
- Gas spring door closers—all doors
- Premium black & chrome twist-lock whale-tail handles for firm lock and seal
- Two removable cross compartment shelves for long objects or oversized items
- Four heavy duty, swiveling hanger hooks
- Weighs 314 lbs including mount kit
- 2 year limited factory warranty
- See www.truckcraft.com for other sizes to fit your truck



TC-600 SPACE-PAK & TC-300 COMBO

1/2016 1m