



# TC-505 LYNX & LYNX PLUS ALUMINUM TOW BODY

**LYNX PLUS  
HAS  
30,000# BALL  
FACTORY INSTALLED**



**BUILD YOUR PICKUP  
INTO A CUSTOM TOW  
MACHINE!!!**

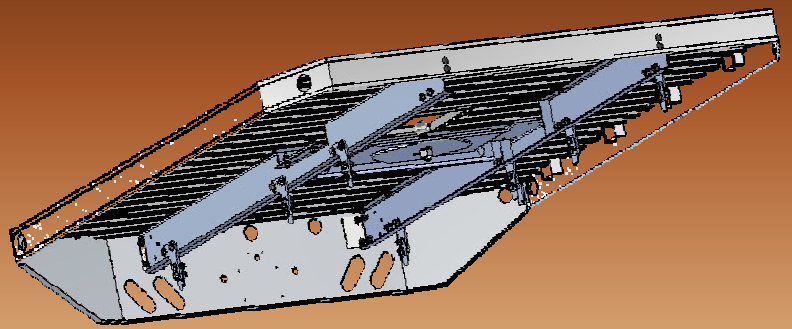
**LYNX INCLUDES CABGUARD, TAILBOARD,  
TRAPDOOR. SIZES AVAIL FOR DUAL REAR  
WHEEL TRUCKS ONLY, 8 TO 12 FT LGTH**

LYNX MAY BE SHOWN WITH OPTIONAL EQUIPMENT

### TC-505 LYNX FEATURES & OPTIONS

- Made of heat treated T-6 aluminum - rated "A" against corrosion by *The Aluminum Institute*
- Cabguard with window bars and LED lights std
- Body height - 5.5" for ultra-low mount height
- Pre-installed LED lights and wiring harness
- **Options Avail** - Flush D-rings, Diamond aluminum splash guards, Logo mudflaps, Poly fenders, External rub-rail, Aluminum sideboard heights - 6", 12", 18", Tubular step bumper
- Stake pocs are cut into rub rail tops, can be omitted
- Floor Planks are full 1/8" thick on top surface
- Tongue-in-groove planks allow rating of 200 lbs/sf
- Standard 4" aluminum longsills
- One year factory warranty

### LYNX PLUS— ALL FEATURES & OPTIONS OF STD LYNX, PLUS



- STEEL LONGSILLS—MOVABLE TO FIT YOUR TRUCK
- 30,000 LB CAP TOW BALL- FACTORY INSTALLED
- MOUNT KIT W/HDW INCLUDED

TruckCraft reserves the right to make product changes without prior notification

TC-505 LYNX 8\_1\_13