

TRUCKCRAFT

TC-600

SPACE-PAK STORAGE COMPARTMENT

.125 Brushed aluminum
top & sides

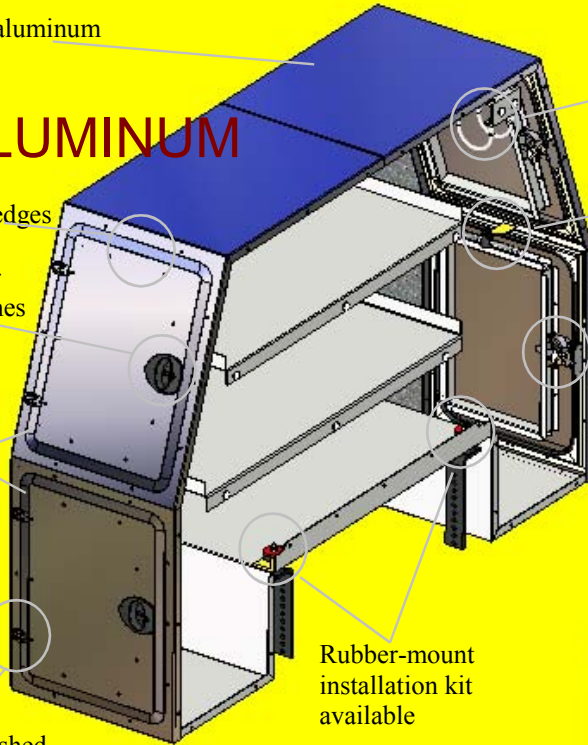
ALL ALUMINUM

Flush fit door edges

Black Polymer
T-handle latches

Bold
Embossed
door edges

Hinges of polished
marine-grade
stainless steel



Four swiveling J-hooks

Over-center spring door stays

Twist lock latch

.125 Diamond
plate front &
rear sheets

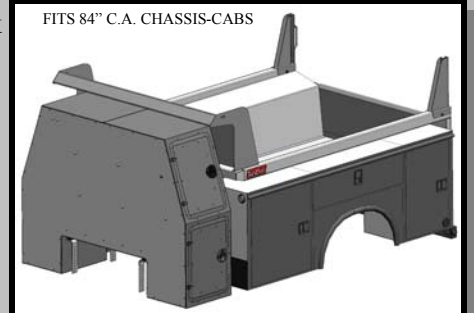
Front sheet removed
for clarity

AVAIL IN 4-DOOR FLAT-BOTTOM MODEL SIMILAR TO ABOVE, OR 2 -DOOR (24D X 84W X 46H)

SPACE-PAK
by TruckCraft of course

- Technologically advanced, bonded & riveted construction prevents distortion & fatigue cracks
- 100% Aluminum with stainless and polymer hardware for custom look and lasting durability
- 56 Cu ft of secure storage space (24D X 84W X 60H); 2-Door flat-bottom model 50 Cu ft (24D X 84W X 46H)
- Flush-fit, embossed doors for security and bold appearance (26"H x 18.5"W clear door openings)
- Automotive bulb-type rubber door seal with radiused corners for water resistant seal
- Brushed-finish sides, top, bright diamond plate front and back panel for custom look
- Exclusive *Watershed* door frame diverts water entry even at bottom of sloped doors
- Full .125" thick aluminum sheet construction, wt 265 lbs; 2-door model wt 220 lbs
- Polished marine type stainless steel hinges for security & durability
- Over-center spring door stays
- Premium black polymer twist-lock T-handles for firm lock and seal
- Two removable cross compartment shelves for long objects or oversized items
- Four heavy duty, swiveling hanger hooks
- 2 year factory warranty

FITS 84" C.A. CHASSIS-CABS



TC-600 **SPACE-PAK** & TC-300 **COMBO**

03/06 3m