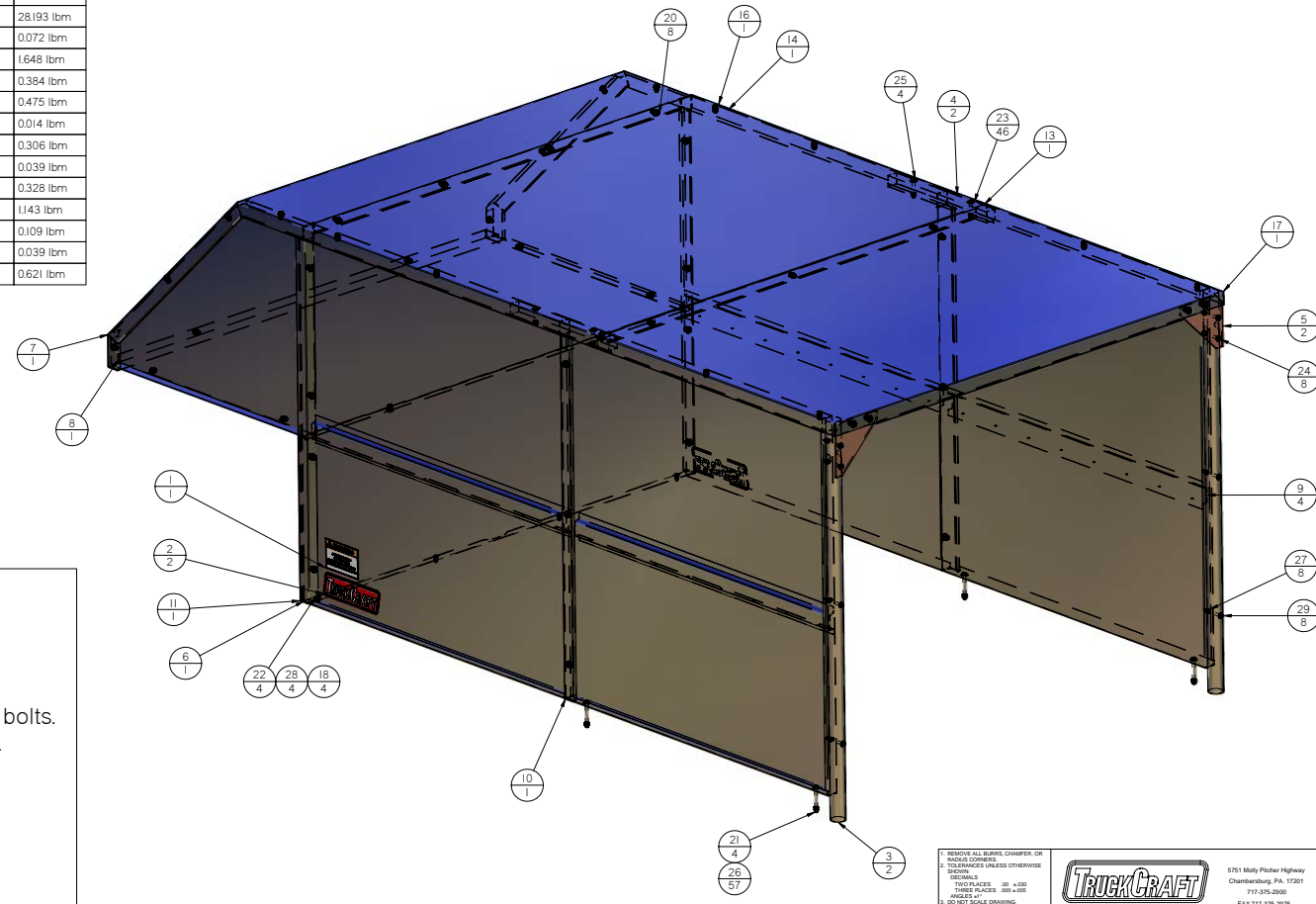


REV	DESCRIPTION	DATE
A	See ECN #0082	11/8/2005

Item No.	Part No.	Qty	Rev	Name	Material	Weight
1	A4-03934	1		Decal / Warning / Leaf Box	Purchased Part	0.012 lbm
2	B4-00400	2		Small LOGO Decal	Purchased	0.000 lbm
3	B4-03897	2	B	Tube Detail / Leaf Box	2.00 DIA. X .065 X 53.25 304 S.S. TUBE	11.842 lbm
4	B4-03951	2		Brace-Side / Leafbox	1/8"x1.50"x1.50" Tube 6061-T6 Alum. R5-00489	1.287 lbm
5	B4-03952	2		Gusset / Solid Top	Aluminum, 6061-T6 .25"x5.0"x10.0"	1.506 lbm
6	D4-03894	1	B	Panel-Cab Guard	Aluminum, 5052-H32 .090"x24.00"x69.07"	14.394 lbm
7	D4-03896	1	A	Cover / Solid Front	Aluminum, 5052-H32 .090"x54.00"x70.13"	32.829 lbm
8	D4-03902	1	A	Panel / Cab Guard / Overhang	Aluminum, 5052-H32 .090"x39.33"x64.47"	22.083 lbm
9	D4-03920	4	A	Side Panel Stiffener - 46.63"lg	Aluminum, 5052-H32 .090 X 4.75 X 46.63	7.799 lbm
10	D4-03943	1	A	Panel / Streetside / Rear	Aluminum, 5052-H32 .09"x52.36"x55.93"	25.295 lbm
11	D4-03944	1	A	Panel / Streetside / Front	Aluminum, 5052-H32 .09"x53.78"x55.93"	25.840 lbm
12	D4-03945	1	A	Panel / Streetside / Cabover	Aluminum, 5052-H32 .09"x30.62"x39.58"	7.731 lbm
13	D4-03946	1	A	Rear- Curb Side Panel	Aluminum, 5052-H32 .09"x52.36"x55.93"	25.295 lbm
14	D4-03947	1	A	Panel / Curbside / Front	Alum. 5052-H32 .09"x53.78"x55.93"	25.840 lbm
15	D4-03948	1	A	Panel-Curbside/ Cabover	Aluminum, 5052-H32 .090"x30.62"x39.58"	7.731 lbm
16	D4-03949	1	A	Top Roof Panel	Alum. 5052-H32 .090"x57.21"x69.48"	34.502 lbm
17	D4-03950	1		Roof Section	Alum. 5052-H32 .09"x46.83"x69.48"	28.193 lbm
18	P4-00557	4		Hex Head Cap Screw	25-20 X .75 18-8 SS	0.072 lbm
19	P4-00561	41		Hex Head Cap Screw	38-16 X .75 18-8 SS	1.648 lbm
20	P4-00562	8		Hex Head Cap Screw	38-16 X 1.00 18-8 SS	0.384 lbm
21	P4-00563	4		Hex Head Cap Screw	38-16 X 3.25 18-8 SS	0.475 lbm
22	P4-00569	4		Flat Washer	25 18-8 S.S.	0.014 lbm
23	P4-00570	46		Flat Washer	38 18-8 SS	0.306 lbm
24	P4-00846	8		Flat Washer	31 18-8 SS	0.039 lbm
25	P4-03916	4		Socket Cap Screw 38-16 x 2.25" SS 18-8	38-16 X 2.25 18-8 SS	0.328 lbm
26	P4-03917	57		Hex Serrated-Flange Nut .38-16	38-16, S.S. 18-8	1.143 lbm
27	P4-03918	8		Hex Serrated-Flange Nut .31-18	31-18 S.S. 18-8	0.109 lbm
28	P4-03919	4		Hex Serrated-Flange Nut 25-20	25-20 S.S. 18-8	0.039 lbm
29	P4-03955	8		Hex Head Cap Screw	31-18 X 2.75 18-8 SS	0.621 lbm

Package Leaf Box Lanyard Retaining Kit I6-03938



- Recommended Assembly Procedure:**
1. Install rear vertical post into TC-I20 side rub rails.
 2. Attach rear side panel to vertical post. Mark and drill holes for bolts.
 3. Attach front side panels to rear side panels.
 4. Attach front panel between front side panels. Mark and drill holes for bolts.
 5. Attach cabover side panels between upper edge of front side panels.
 6. Attach cabguard overhang panel between side cabover panels.
 7. Attach front cover panel over cabover side panels.
 8. Attach top cover panel to front cover and over front side panels.
 9. Attach rear cover panel to top cover and over rear side panels.
 10. Install rear corner gussets to vertical post and rear cover.
 11. Install Retaining Kit, see I6-03938 for Installation Procedures.

1. RESOLVE ALL DIMS, CHAMFER OR ROUND CORNERS
 2. DIMENSIONS UNLESS OTHERWISE SHOWN
 3. DIMENSIONS IN PARENT PARENTS
 4. DIMENSIONS IN PARENTS
 5. DIMENSIONS IN PARENTS
 6. DIMENSIONS IN PARENTS
 7. DIMENSIONS IN PARENTS
 8. DIMENSIONS IN PARENTS
 9. DIMENSIONS IN PARENTS
 10. DIMENSIONS IN PARENTS
 11. DIMENSIONS IN PARENTS
 12. DIMENSIONS IN PARENTS
 13. DIMENSIONS IN PARENTS
 14. DIMENSIONS IN PARENTS
 15. DIMENSIONS IN PARENTS
 16. DIMENSIONS IN PARENTS
 17. DIMENSIONS IN PARENTS
 18. DIMENSIONS IN PARENTS
 19. DIMENSIONS IN PARENTS
 20. DIMENSIONS IN PARENTS
 21. DIMENSIONS IN PARENTS
 22. DIMENSIONS IN PARENTS
 23. DIMENSIONS IN PARENTS
 24. DIMENSIONS IN PARENTS
 25. DIMENSIONS IN PARENTS
 26. DIMENSIONS IN PARENTS
 27. DIMENSIONS IN PARENTS
 28. DIMENSIONS IN PARENTS
 29. DIMENSIONS IN PARENTS
 30. DIMENSIONS IN PARENTS

TRUCK CRAFT
 5761 Moby Pickin Highway
 Chambersburg, PA 17201
 717-375-2900
 FAX 717-375-2975

TITLE: Leaf Box Assembly - Solid Top REGION: 277.549 lbm
 SCALE: None DATE: 11/8/2005 MATERIAL:
 SHEET 1 OF 2 APPR. BY: DCM DRAWN BY: DCM DWG NO: D2-03956 REV: A